

# ProLine TMX 35



## Standard Features

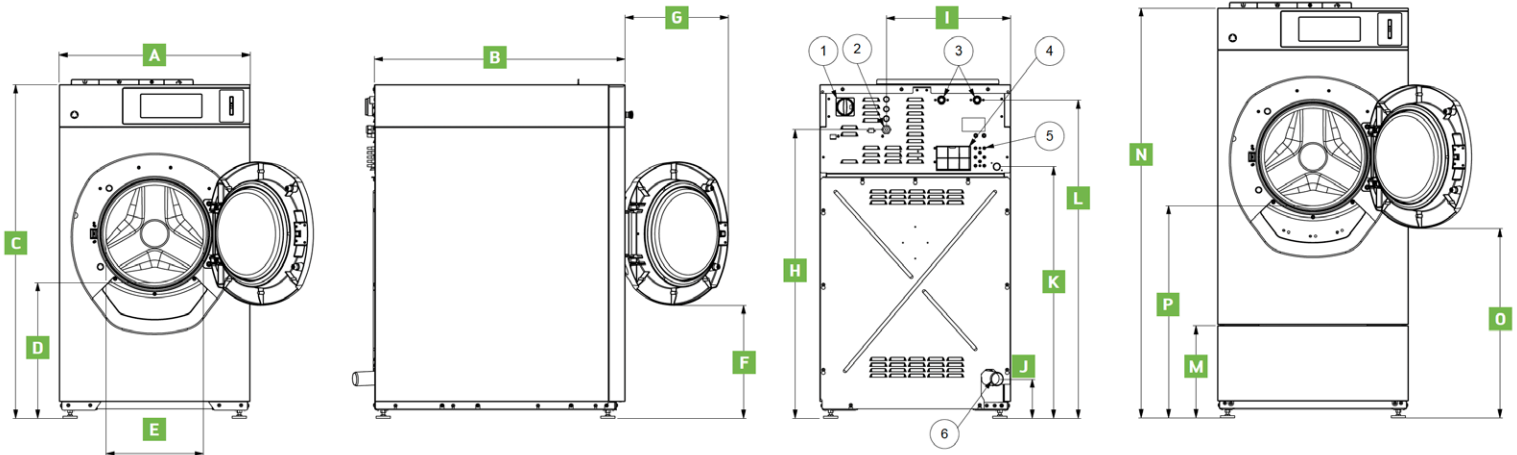
- Soft mount / freestanding, high-speed washing machine
- Powder-coated steel housing, matt grey
- Stainless steel drum and outer drum
- Intuitive operation with 4.3-inch colour display
- Ergonomic detergent dispenser
- Laundry trap protection
- Convenient loading/unloading through large doors
- Hot water connection
- Drain valve
- Time preselection up to 7 weekdays
- 24 languages
- Autoclean

## Options

- Control system «Expert+»
- USB interface
- Connection for 8 liquid detergent injection pumps
- Machine base 10.6 in / 270 mm
- Machine base with lint filter drawer
- Machine hygiene monitoring via USB

- 1 Main switch
- 2 Electrical connection
- 3 Water connection
- 4 Overflow / Venting
- 5 Connection for liquid detergent
- 6 Drain pipe

TMX 35	
	4.6 cu ft
1:9	31 lbs
1:10	29 lbs



TMX 35	A	B	C	D	E	F	G	H	I	J	K	L	M	N	O	P	Weight
in	31	36.8	53.5	20.8	17.7	17.7	-	47.2	23.3	5.9	-	51.2	13	64.2	28.3	31.5	772 lbs
mm	790	935	1360	530	450	450	-	1200	590	150	-	1300	330	1630	720	800	350 kg

# Technical Specifications ProLine TMX 35

Machine Type	Washer Extractor	
Product Name	ProLine TMX 35	
Product No.	100303	
<b>Main Data</b>		
Capacity, dry weight (1:9)	lbs / kg	31 / 14
Capacity, dry weight (1:10)	lbs / kg	29 / 13
Drum volume	cu ft / L	4.6 / 130
Drum opening	Ø in / mm	17.7 / 450
Drum diameter	in / mm	24.4 / 620
Drum depth	in / mm	16.8 / 427
Max spin speed	rpm	1100
g-force		419
Redidual moisture	%	48
Adjustable feet	in / mm	1-1.8 / 25-45
Height to gravity drain	in / mm	5.6 / 144
Program duration cold water connection <sup>2)</sup>	min	55
Program duration hot water connection 158 °F / 70 °C <sup>2)</sup>	min	46
Energy consumption <sup>3)/ 4)</sup>	kWh	2.4 / 0,45
Water consumption <sup>2)</sup>	gal / L	30 / 112
Noise emission, max spin	dB(A)	70
Door opening		Right
Door opening, angle	°	180
<b>Electrical Installation</b>		
Supply voltage	V	208-240 V, 3P, 60Hz
Electric heating	kW	14.5
Drive	kW	1.5
Total effect	kW	16
Protection	A	60
<b>Water Connection</b>		
Water inlet	Ø in	3/4
Drain	Ø in / mm	3 / 75
<b>Control System</b>		
Standrard programs		Expert / Expert +
24 programs, freely programmable		• / •
ProfiClean sets		- / •
Disinfection programs		- / •
WetClean programs		- / •

– Not available

• Available

<sup>2)</sup> Cotton 140°F / 60°C pre-wash

<sup>3)</sup> Cotton 140°F / 60°C prg, cold water

<sup>4)</sup> Cotton 140°F / 60°C prg, hot water 158°F / 70°C



- Compact, robust and durable quality product
- Low-maintenance, saves costs
- Environmentally friendly WetClean



- Fast washing cycles
- Proficlean
- Freely programmable washing programs
- Intuitive control panel
- Simple, safe operation



- Hygiene safety
- Disinfection programs
- Hygiene monitoring
- Perfect washing results



**PODAB Inc.**

1330 Main Street, Floor 2. Sarasota, FL. 34236, USA

Email. sales@podab.us, Tel. +1 (800) 683-4873, Web. www.podab.us