



TS 93 E

Drying Cabinet with a Large Capacity

TS 93 E, has the capacity to dry great amounts of laundry in a very short time and is ideal for drying rugs or larger textiles such as sheets, curtains etc.

The drying cabinet is energy efficient. The energy consumption is only 6,4 kWh.

TS 93 E is equipped with the Humidity Tracking System (HTS). HTS measures the level of humidity every single second, to determine exactly when the textiles are dry. The cabinet has four automatic programs and one program for timed drying.

Details

- Capacity 35,3 lbs (16 kg)
- Hanging length 105 ft (32 m)
- Width, 71 inch (180 cm)
- HTS - Humidity Tracking System
- Gentle drying mode
- Four automatic programs and one program for timed drying
- Hanging rail rotates out 90° and doors open 190°
- Double overheat protection for increased security
- Removable top panel for easy installation/handling
- Choose between English, Swedish, Norwegian, Danish, French, German and Spanish display texts
- Delivered as an assembling kit

Main Data	TS 93 E
Capacity, kg (lbs)	16 (35,3)
Hanging length, m (ft)	32 (105)
Heating effect, kW	9,0
Part no	131034
Consumption data, normal temperature*	
Drying time, min	64
Energy consumption, kWh	6,4
Drying capacity, g/min (oz/min)	81 (2,9)

*Drying of 12 kg cotton (dry weight), washed and high-spun to 43% residual moisture, dried to 0% residual moisture.

About PODAB

PODAB is a Swedish company that has been in the laundry business since 1945. We develop, manufacture and market quality products at competitive prices for multiple apartment buildings, laundry rooms and for professional use.

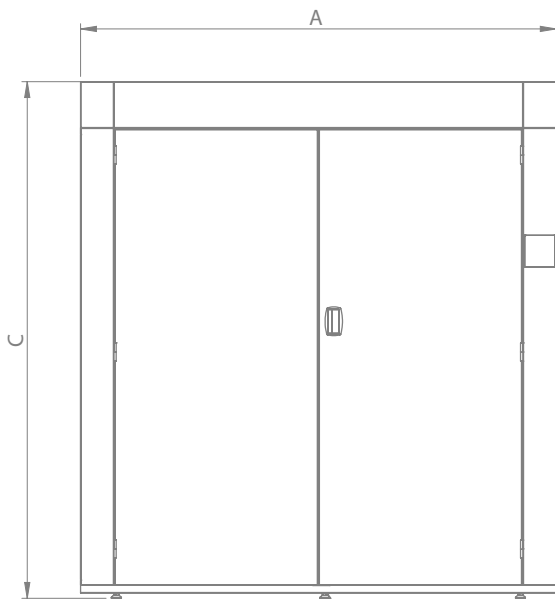
Contact us

Our USA branch office is situated in Sarasota, Florida and our head office, warehouse and exhibition are situated in Gothenburg, Sweden. If you have any questions, please feel free to contact us at +1 (941) 479-0763. You can also read more about us at www.podab.us.

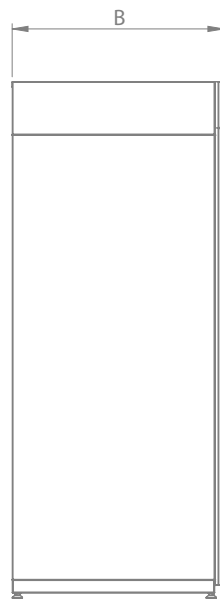
Drying Cabinet		TS 93 E
Electrical connections	Phase/Voltage/Frequency	3~N/400V/50Hz
	Total effect, kW	9,5
	Fuse, A	16
	Cable length, mm (inch)	2500 (98,4)
Air connections	Outlet exhaust, \varnothing mm (inch)	160 (6,3)
	Outlet air flow, m ³ /h* (ft ³ /h*)	300 (10594)
	Pressure drop, max Pa* (psf*)	260 (5,43)
Optional extras	Single bar, art no	131072
	Hook rack, set of three, part no	131071
	Air exchanger 1 vent., part no	141009
	Air exchanger 2 vent., part no	141018
Sound level	Airborne sound level, dB(A)	65
Weight	Net, kg (lbs)	235 (518)
	Shipping data net, kg (lbs)	275 (606)
Minimum ceiling height	Minimum ceiling height, mm (inch)	2215 (87,2)
Shipping dimensions	WxDxH packed, mm (inch)	1915x790x1060 (75,4x31,1x41,7)

* Recommended air flow.

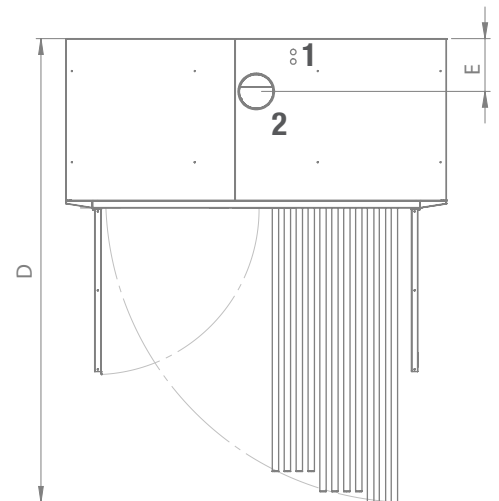
Front



Left side



From above



- 1. Electrical connection
- 2. Outlet exhaust

Dimensions in mm (inch)	A	B	C	D	E
	Width	Depth	Height	Depth with hanging rail	Exhaust position from back
TS 93 E	1800 (71)	800 (31,5)	1955 (77)	2192 (204)	250 (9,84)



2015-11-30. Changes can be made without prior notice.