

The PODAB Drying Cabinet TS63



Dry your delicate garments with care

The PODAB Drying Cabinet TS63 offers efficient hang drying for sensitive garments that should not be tumble dried. The cabinet dries garments gently without any friction at exactly the right temperature and humidity. The TS63 features very low energy consumption and a very short drying time of 40 minutes*. The cabinet works with a humidity sensor and has double fans and air-channels which create a perfect balance between evacuated and re-circulated air.

A large display provides information during the drying process. The cabinet features manual or automatic programs. The automatic program dries the clothes until they are dry, not a minute longer, thanks to our own Humidity Tracking System.

Sanitize Drying Program:

The TS62 can greatly reduce allergens and bacterial contaminants when utilizing high-temperature settings.



The unique hanging frame (turnable) can be rotated 180° making it easier to handle laundry.



Single bar for individual hangers

Features

- Gentle drying without mechanical action
- Up to 9 automatic or manual programs
- Programs end with cool down to room temperature
- Capacity of up to 18lbs
- Doors open 190 degrees
- Lighting inside cabinet
- Unique hanging frame (turnable) can be rotated 180 degrees
- Flat-packed for easier shipping

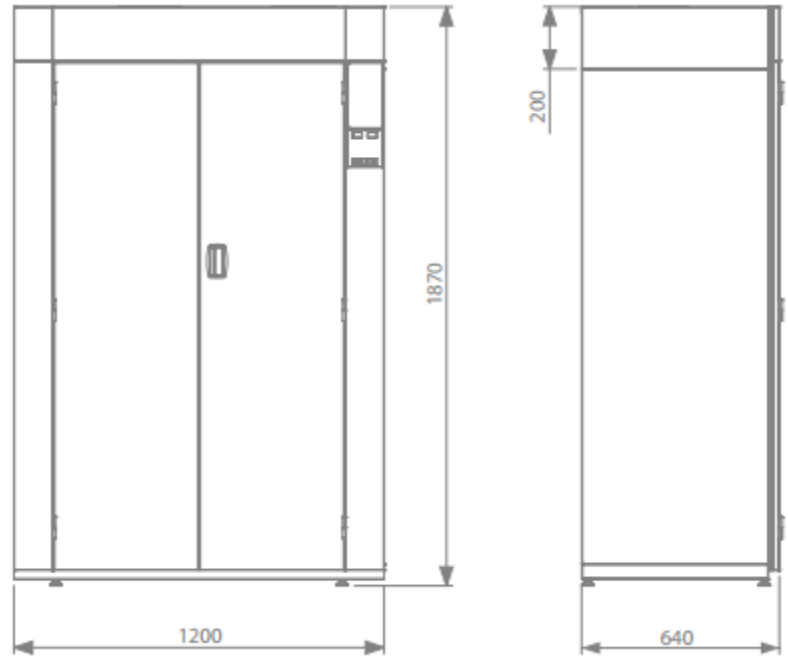
HTS ●●●
Humidity Tracking System



Ideal for delicate garments that are not suitable for tumble dryers.

The PODAB Drying Cabinet TS63

Technical Specifications	
Part No.	131032
Capacity, lbs (dry weight)	18
Hanging length, single bar (ft)	4
Hanging length, multiple bars (ft)	48
Drying time, min*	40
Energy consumption (kw/kg)	0.6
Total heating effect, kW	6.3
Voltage**/Frequency/Phase	208-230V / 60Hz / 3
Circuit breaker (amps)	30
Height (in)	73.6
Width (in)	25.2
Depth (in)	47.2
Weight (lbs)	319
Evacuated airflow (CFM)	100
Airborne sound level (db)	58
Color	grey



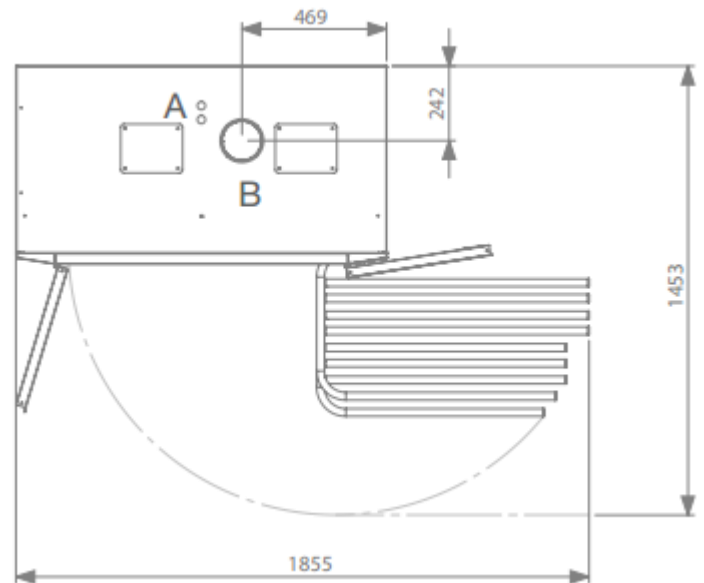
*When drying of 15lbs cotton (dry weight), washed and high-spun to 53% residual moisture. The cabinet works another 15 minutes with cool-down after the textiles are dry.

**Other electrical setup upon request

Optional Extras



Hook rack, set of three
Part # 131071



All measurements are in millimeters



PODAB, Inc. • 1330 Main Street Unit 2 • Sarasota, Florida 34236 • 941-726-0808 • www.podab.us

Technical data and details are subject to change without notice.

© 2014 PODAB, Inc.