

The PODAB Drying Cabinet TS62



Dry your Delicate Garments with Care.

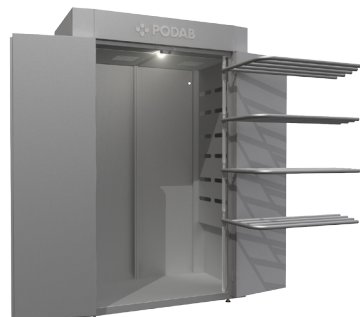
The PODAB TS62 Drying Cabinet offers efficient hang drying for sensitive garments that should not be tumble dried. The cabinet dries garments gently without any friction at exactly the right temperature and humidity. The TS62 features very low energy consumption and a very short drying time of 40 minutes*. The cabinet works with a humidity sensor and has double fans and air-channels which create a perfect balance between evacuated and re-circulated air.



A large display provides information during the drying process. The cabinet features manual or automatic programs. The automatic program dries the clothes until they are dry, not a minute longer, thanks to our own Humidity Tracking System (HTS).

Sanitize Drying Program:

The TS62 can greatly reduce allergens and bacterial contaminants when utilizing high-temperature settings.



The unique hanging frame (turnable) can be rotated 180° making it easier to handle laundry.




Single bar for individual hangers

Standard Equipment

- 3 temperature levels for the manual programs and 2 automatic programs: cabinet dry and iron dry
- Capacity up to 20lbs.
- Doors open 190°
- Unique, hanging frame, can be rotated 180°, making it easier to handle laundry
- Hanging frame has 18 arms and a complete hanging length of 50ft
- Indoor lighting
- Round base door catch magnets. Rubber coated to protect paintwork
- Double overheat protection (electrical and electromechanical) for increased security
- Feet are adjustable from inside
- Top is removable for easier handling and installation
- Test program and error codes make it easier to troubleshoot. Updated setup mode to adjust functions
- Optional single bar can be used for hangers
- Energy-efficient: senses and stops when clothes are dry
- Sanitize Drying Program with high temperature settings.

HTS...
Humidity Tracking System

 Ideal for delicate garments that are not suitable for tumble dryers.

 **PODAB**

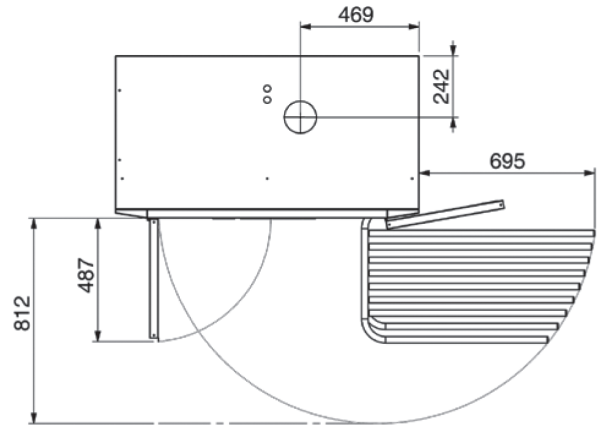
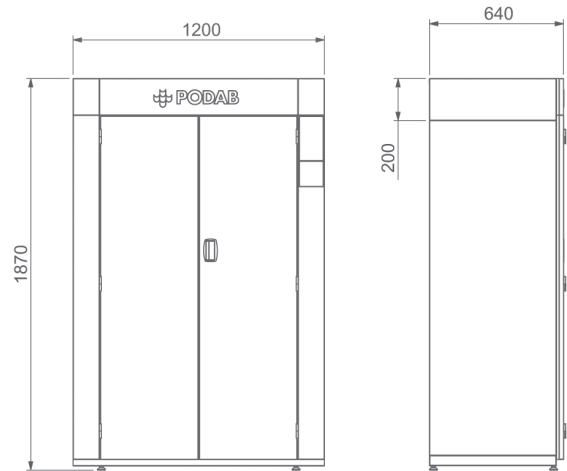
The PODAB Drying Cabinet TS62

Technical Specifications

Part No.	131025
Capacity, lbs (dry weight)	18
Hanging length, single bar (ft)	4
Hanging length, multiple bars (ft)	56
Drying time, min*	40
Energy consumption (kw/kg)	0.6
Total effect, kW	6.3
Voltage**/Frequency/Phase	208-230V / 60Hz /3
Circuit breaker (amps)	30
Height (in)	73.6
Width, (in)	25.2
Depth, (in)	47.2
Weight, (lbs)	319
Evacuated airflow (CFM)	100
Airborne sound level, (db)	58
Color	grey

*When drying of 14 lbs cotton (dry weight), washed and high-spinned to 53% residual moisture. The cabinet works another 15 minutes with cool-down after the textiles are dry.

**Other electrical setup upon request.



All measurements in millimeters.

Optional Extras

Hook rack, set of three.
Part # 131071

